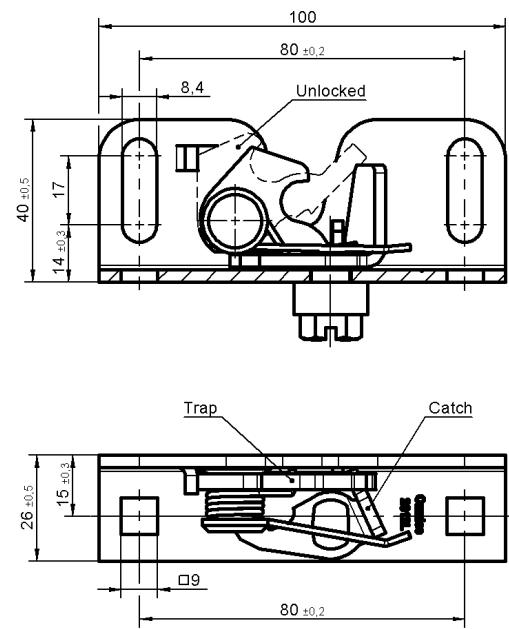
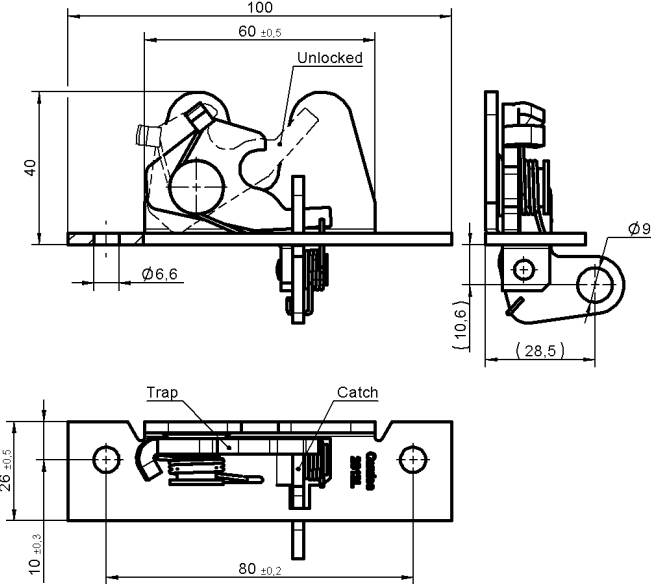
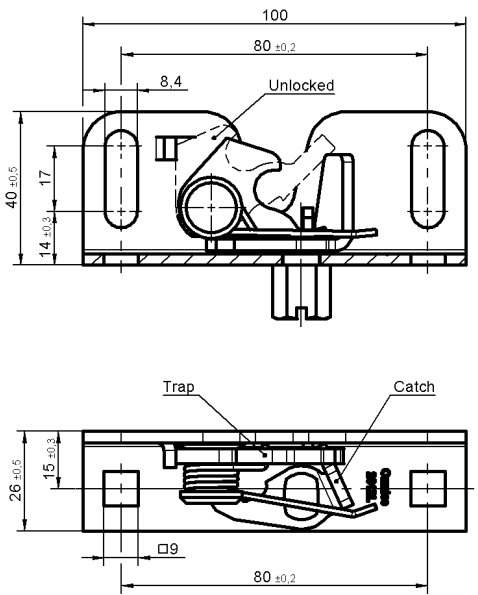


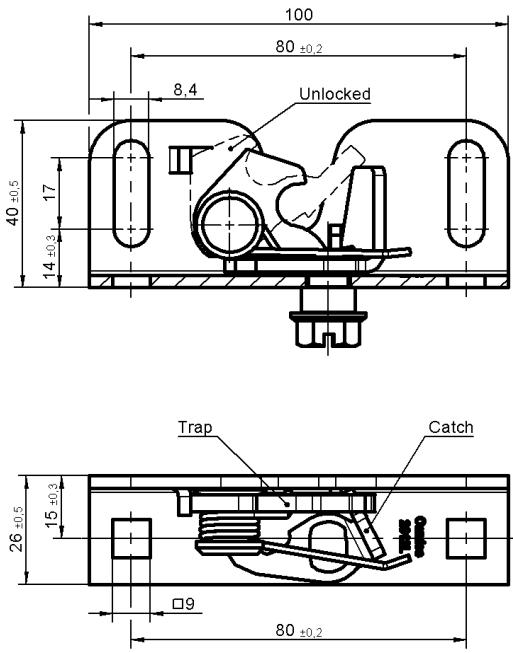
**Particular Features**

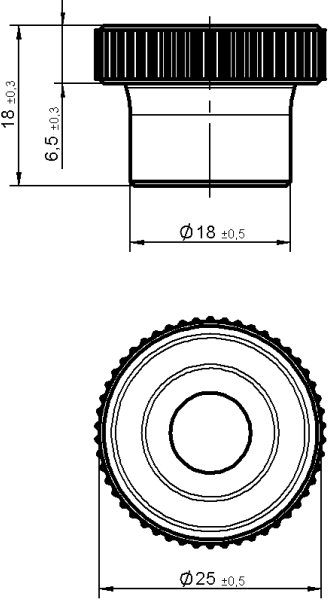
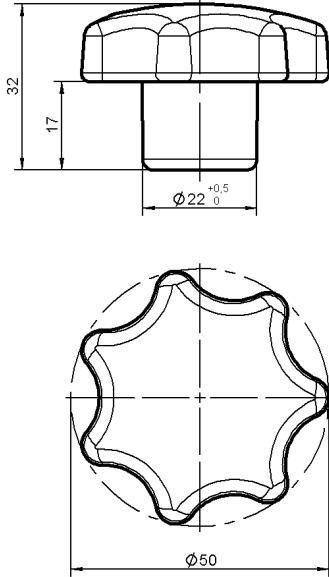
Robust slam latch, self locking  
 Max. locking force: 230 N  
 Max. tension strength: 2.400 N  
 Max. torque: 40 Nm

Dimensions	Materials / Finish	Type	°C	Part No.
	<p>Steel / zinc-plated and yellow chromated                      Catch: zinc flake coated</p> <p>Steel / zinc-plated and yellow chromated                      Catch: zinc flake coated</p>	<p>A</p> <p>B</p>	<p>100</p> <p>100</p>	<p><b>2812L03-1AF</b></p> <p><b>2812L03-2AF</b></p>

Dimensions	Materials / Finish	L	°C	Part No.
	<p>Steel / zinc-plated and yellow chromated Catch: zinc flake coated</p> <p>Steel / zinc-plated and yellow chromated Catch: zinc flake coated</p>	<p>110</p> <p>50</p>	<p>100</p> <p>100</p>	<p><b>2812L05-1AF</b></p> <p><b>2812L05-2AF</b></p>
	<p>Steel / zinc-plated and yellow chromated Catch: zinc flake coated</p>		<p>100</p>	<p><b>2812L06-1AF</b></p>

Dimensions	Materials / Finish	°C	Part No.
	<p>Steel / zinc-plated and yellow chromated Catch: zinc flake coated</p>	<p>100</p>	<p><b>2812L07-1AF</b></p>
	<p>Steel / zinc-plated and yellow chromated Catch: zinc flake coated</p>	<p>100</p>	<p><b>2812L08-1AF</b></p>

Dimensions	Materials / Finish	°C	Part No.
	<p>Steel / zinc-plated and yellow chromated Catch: zinc flake coated</p>	<p>100</p>	<p><b>2812L09-1AF</b></p>

Dimensions	Materials / Finish	°C	Part No.
	<p>Plastic (POM) / black</p> <p>to be used with: 2812L03-1AF 2812L03-2AF 2812L08-1AF 2812L09-1AF</p>	<p>-25 up to +90</p>	<p><b>2812L80-1K</b></p>
	<p>Plastic (PA6) / black</p> <p>to be used with: 2812L03-1AF 2812L03-2AF 2812L08-1AF 2812L09-1AF</p>	<p>-40 up to +60</p>	<p><b>2812L82-1K</b></p>

